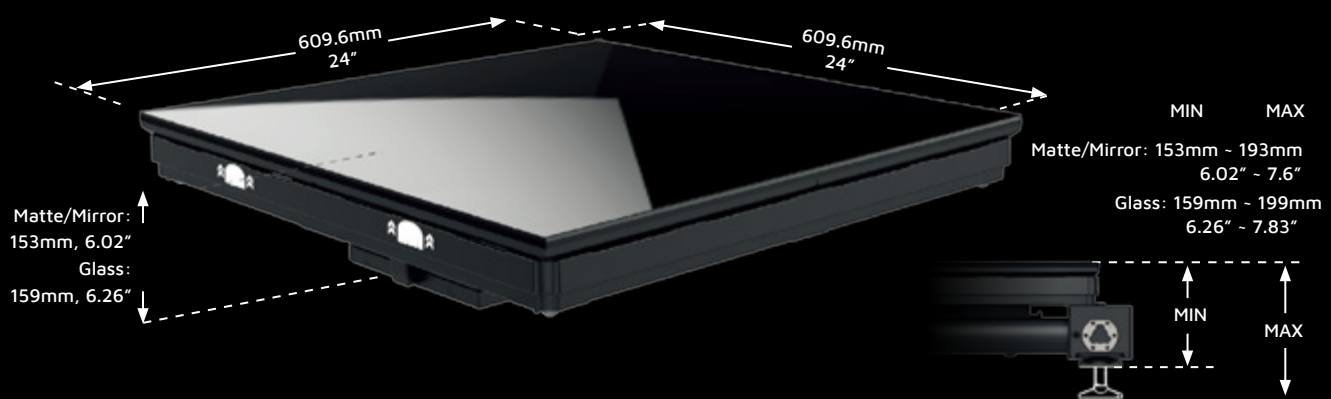


# Specifications

Module	BM4 Glass, Mirror	BM4 Matte
Pixel Pitch	4.7625mm	4.7625mm
Max. Brightness Calibrated	up to 1,300nits	2,000nits
Panel Dimension	609.6 x 609.6 x 130mm 24" x 24" x 5.1"	609.6 x 609.6 x 130mm 24" x 24" x 5.1"
Panel Resolution (H x V)	128 x 128	128 x 128
Panel height incl.frame/feet	153-193mm	159-199mm
Weight Per Panel	21.65kg; 47.73lbs	16.0kg; 35.27lbs
Power Consumption Max/Average	280W / 140W	280W / 140W
BTU Max/Average	955 / 439	955 / 439
Transparency	Solid	Solid
Serviceability	Front	Front
LED Configuration	White SMD 3in1	White SMD 3in1
Viewing Angle Horizontal	140°	140°
Multiplexing	8	8
Refresh Rate	1920Hz	1920Hz
Gray Scale	16bit	16bit
Frame Material	Magnesium Alloy	Magnesium Alloy
Operational Temp / Humidity	-20°~ 45°C, 10-90%RH -4°~113°F, 10-90%RH	-20°~ 45°C, 10-90%RH -4°~113°F, 10-90%RH
Storage Temp / Humidity	-40°~ 60°C, 10-90% RH -40°~140°F, 10-90% RH	-40°~ 60°C, 10-90% RH -40°~140°F, 10-90% RH
IP Rating	IP65	IP65
Certifications	CE, ETL, FCC	CE, ETL, FCC

# Dimensions



[www.roevisual.com](http://www.roevisual.com)

ROE Visual Co., Ltd. | ROE Visual US, Inc. | ROE Visual Europe BV  
 roe@roevisual.com | usa@roevisual.com | europe@roevisual.com